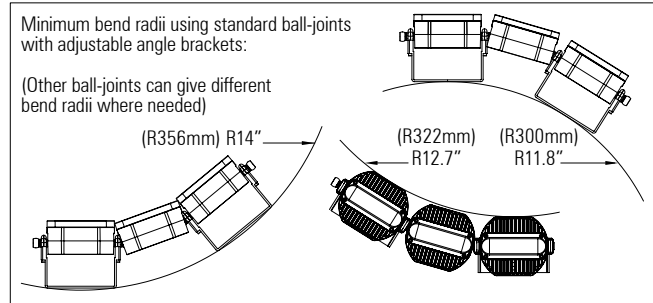
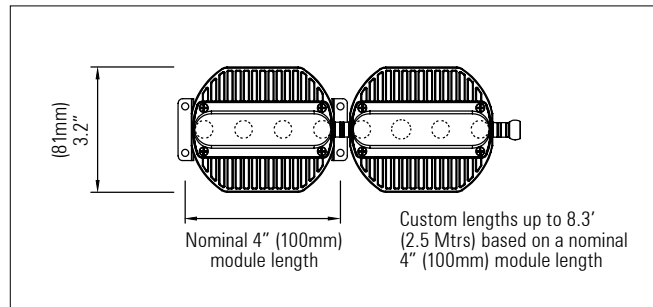
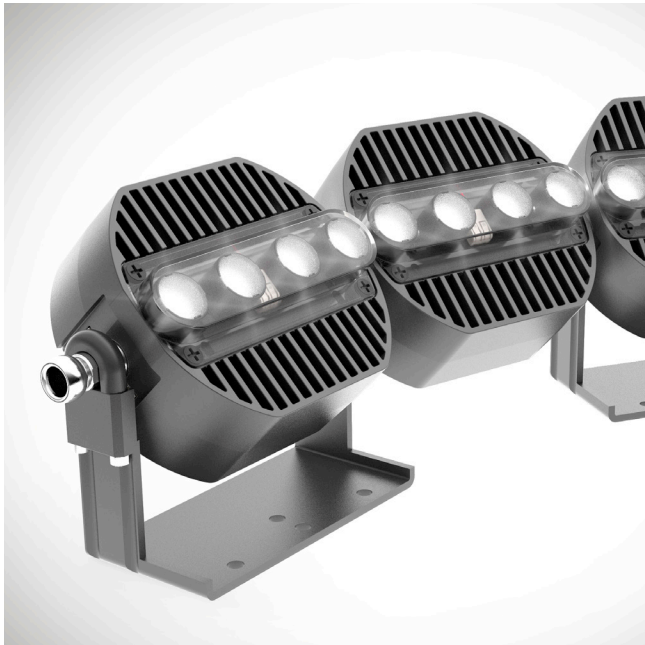


## 3D LED Flex 100 IP20 Class 2

1, 2, 3 or 4 x high power LEDs with lenses per module

Modular, 3D flexible LED linear lighting system



### 1, 2, 3 or 4 x high power LEDs with lenses per module

Modular, 3D flexible LED linear lighting system

#### Product description:

For use in interior indirect cove lighting applications or direct wall washing applications where the building surfaces are non linear with curved profiles

Each module - 1, 2, 3 or 4 x Cree XP-E, XP-G LEDs with Ledil Lisa2, Larisa, or Tina2 lenses. See LED / lens matrix for beam angle options

Up to 10 Watts per 4" (100mm) module

30 Volt - 48 Volt DC supply depending on application

Flexible in 3 dimensions - Articulated ball-joint system between modules

LED pitch is maintained between the modules

Side, back and end power feed and connector options allow for continuous lighting with no dark areas between fixtures. 16 Amp IP20 connectors join fixtures together on-site

Integral LV constant current driver

Dimming options available: 1 - 10V, DMX and DALI. Separate dimming channel

Various LED colour temperature and CRI options available

Satin black, satin white or any RAL paint colour finish

Custom lengths based on a 4" (100 mm) module up to 8.3' (2.5 mtrs)

Various mounting options and bracket types are available

\* RGB, RGBW, RGBA and Dynamic-white options do not use a colour mixing lens. For a colour mixing lens version see the data sheet for the 3D LED Flex 100 IP20 with 1 x RGBW LED array with colour-blending lens per module

Up to 2,900 lumens per ft  
(Up to 9,500 Lumens per Mtr)

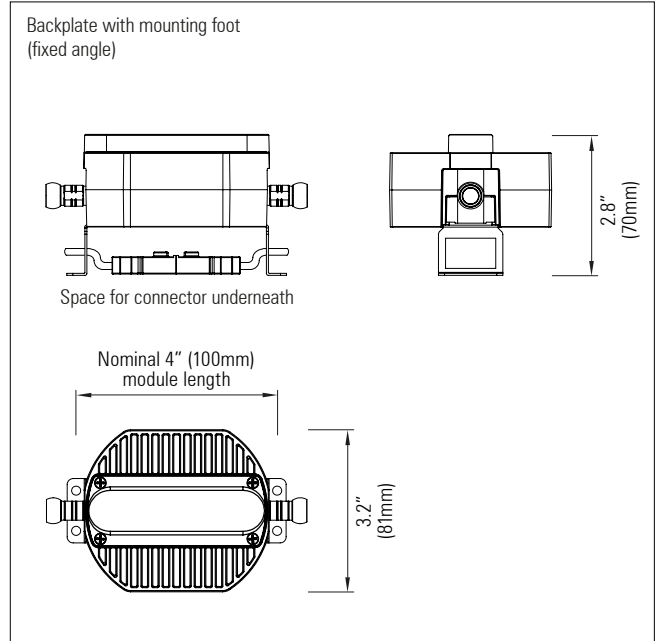
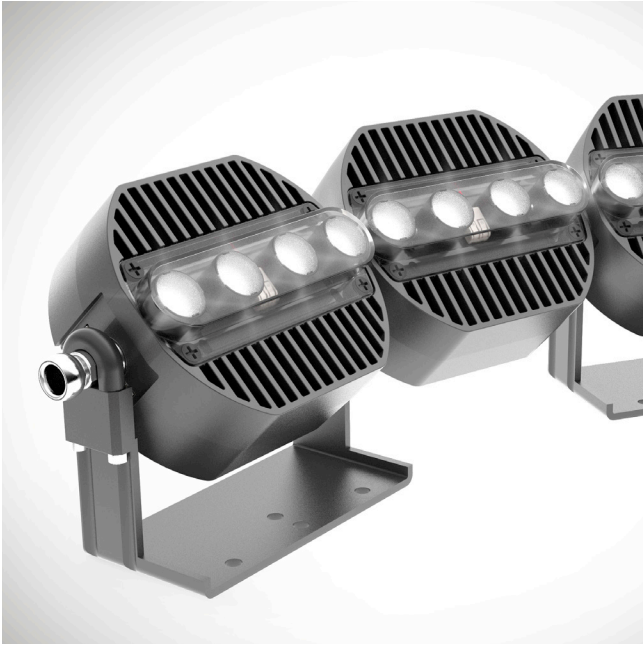
LED / lens matrix	CREE XP-E			CREE XP-G		
	Lisa2	Larisa	Tina2	Lisa2	Larisa	Tina2
Diffused spot (D)	N/A	N/A	12 °	N/A	N/A	17 °
Real spot (RS)	16 °	15 °	11 °	26 °	N/A	15 °
Medium (M)	24 °	23 °	31 °	34 °	36 °	30 °
Wide (W)	37 °	39 °	50 °	48 °	N/A	57 °
Wide (WW)	42 °	N/A	N/A	54 °	N/A	N/A
Wide (WWW)	84 °	N/A	N/A	86 °	N/A	N/A
Elliptical (O)	18+48 °	39+17 °	32+14 °	46+24 °	39+25 °	35+16 °

Product Code	No. of LEDs	IP	Length	Colour Temp. (K)	CRI	Cover	Feed	Finish
RAD 3D LED FLEX 100 IP20 HP - 4 L	4 LEDs per 4" module: 1" (25mm) LED pitch	20	4" (100mm)	27=2,700k 30=3,000k 35=3,500k 40=4,000k 45=4,500k 50=5,000k	80 90	Clear	End Back Side	Black White Any RAL colour
RAD 3D LED FLEX 100 IP20 HP - 3 L	3 LEDs per 4" module: 1.3" (33mm) LED pitch		-increments of 4" (100mm) up to-					
RAD 3D LED FLEX 100 IP20 HP - 2 L	2 LEDs per 4" module: 2" (50mm) LED pitch		8.3' (2.5 mtrs)					
RAD 3D LED FLEX 100 IP20 HP - 1 L	1 LED per 4" module: 4" (100mm) LED pitch							

## 3D LED Flex 100 IP20 Class 2

1, 2, 3 or 4 x high power LEDs with lenses per module

Fixed-angle and adjustable-angle mounting bracketry



### Fixed-angle and adjustable-angle mounting bracketry for 3D LED Flex 100 IP20. 1, 2, 3 or 4 x high power LEDs with lenses per module

The 3D LED Flex 100 system is flexible in 3 dimensions, which allows it to follow curved building contours

There are a number of bracket options available

Adjustable angle brackets allow the modules to be rotated around the major axis, so that the light output can be aimed precisely

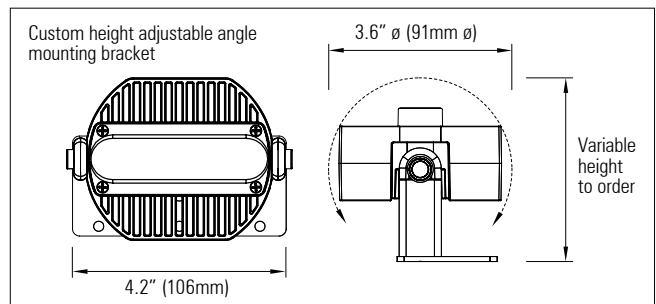
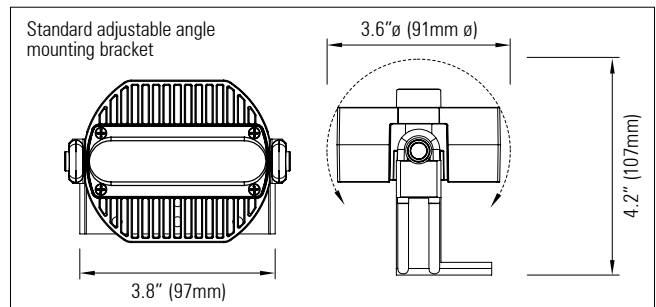
The angle of the modules can be adjusted on-site by hand. The friction ball-joint system keeps the modules correctly positioned. There is also a lockable option, which allows each module to be locked in place using an Allen key once it is correctly positioned

A standard height adjustable angle bracket and a custom height adjustable angle bracket are available

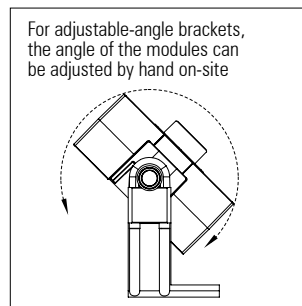
Fixed angle bracket options are also available. The standard fixed angle bracket has a mounting foot which has space for the connectors to fit underneath the modules

Custom options are also available

The brackets are aluminium with a powder coat finish which is available in satin black, satin white or any RAL paint colour finish



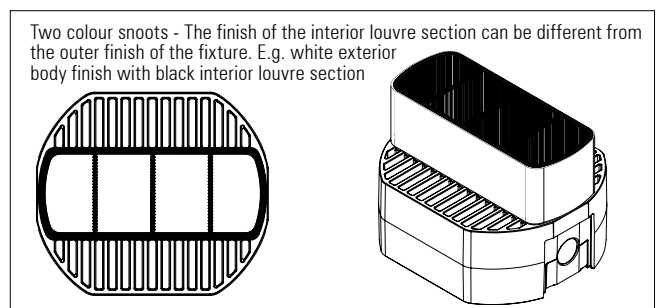
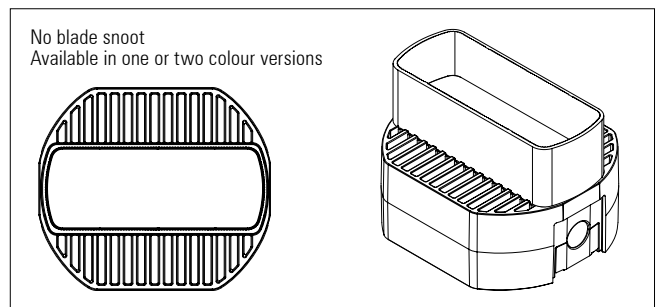
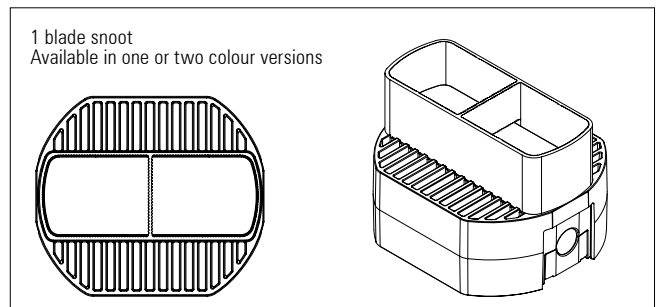
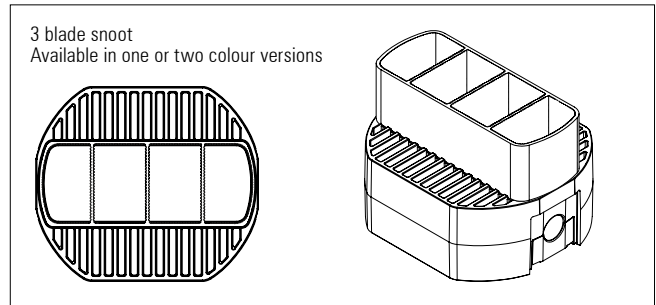
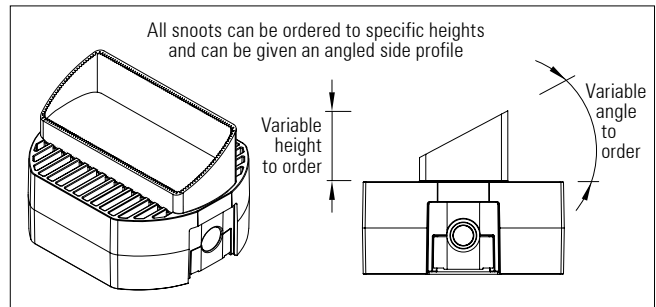
Product code	IP	Finish	Height of legs
RAD 3D LED FLEX 100 IP20 FIXED ANGLE BRACKET WITH MOUNTING FOOT	20	Black White Any RAL - colour	Custom height version only:
RAD 3D LED FLEX 100 IP20 ADJUSTABLE ANGLE BRACKET STANDARD AL			0.79"
RAD 3D LED FLEX 40 IP20 ADJUSTABLE ANGLE BRACKET CUSTOM HEIGHT AL			-increments of 0.2" up to- 11.8"



## 3D LED Flex 100 IP20 Class 2

1, 2, 3 or 4 x high power LEDs with lenses per module

Anti-glare accessories



### 3D LED FLEX 100 anti-glare accessories

For use with the 3D LED Flex 100 system to control light glare from the LEDs when the fixtures are not fully recessed

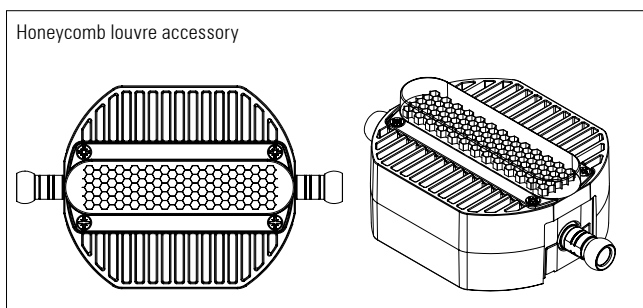
3 blade, 1 blade and no blade snoots are available

Satin black, satin white or any RAL paint colour finish. Two colour versions are also available - eg. white finish on exterior & black finish on interior of snoot. Both interior and exterior parts can be any RAL colour paint finish, or any anodised finish

Custom height to order. Straight or any custom cut angle side-profile to order

The honeycomb louvre accessory provides excellent glare control with a low profile

Product Code	No. of blades	IP	Height	Cut angle of side-profile (°)	Finish
RAD 3D LED FLEX 100 SNOOT	0 1 3	20	0.8" (20mm) -increments of 0.2" (5mm) up to- 12" (305mm)	0° -increments of 5° up to- 75°	Black White Any RAL colour Two colour - both parts can be any anodised or any RAL colour
RAD 3D LED FLEX 100 HONEY-COMB	NA	NA	NA	NA	Black



**Product description:**

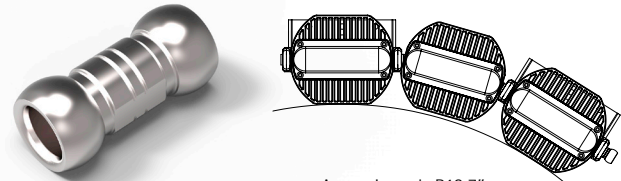
Radiant's 3D LED Flex 100 system comprises a patented articulated ball-joint system which links the heatsink modules.

The ball-joints system allows the strips to bend and twist in 3 dimensions, so that they can follow any building contours, whilst maintaining a constant LED pitch.

There are various types of ball-joint to suit different applications, some of which can be seen on this data sheet. Please contact Radiant to discuss custom solutions.

Standard ball-joint

Minimum bend radius for 3D LED Flex 100 using standard ball-joints

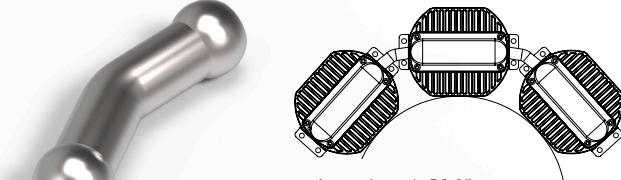


Approximately R12.7" (R322mm) depending on IP rating, bracket type, LED type and optics

Product Code	Material	Length
STANDARD BALL-JOINT BALL-JOINT TIGHT BENDS BALL-JOINT LONG	Nickel-plated brass	(For longer ball-joints) 3.9" (100mm) 7.9" (200mm) 11.8" (300mm) Custom lengths

Ball-joint for tight bends

Minimum bend radius for 3D LED Flex 100 using ball-joints for tighter bends



Approximately R3.9" (R98mm) depending on IP rating, bracket type, LED type and optics

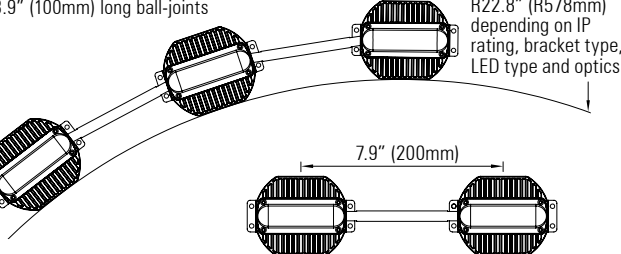
Longer ball-joint



Standard lengths:  
3.9" (100mm)  
7.9" (200mm)  
11.8" (300mm)  
(Custom lengths to order)

Minimum bend radius for 3D LED Flex 100 using 3.9" (100mm) long ball-joints

Approximately R22.8" (R578mm) depending on IP rating, bracket type, LED type and optics



7.9" (200mm)